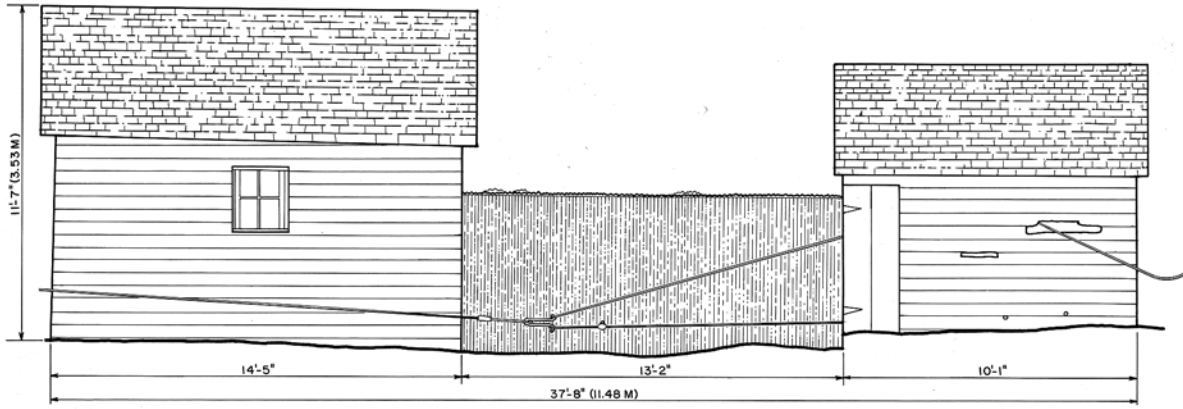
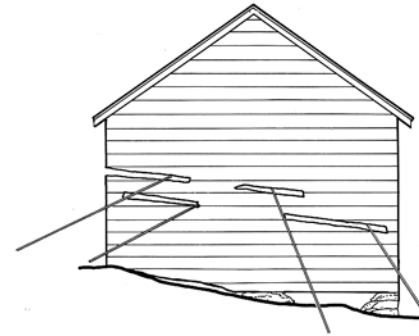


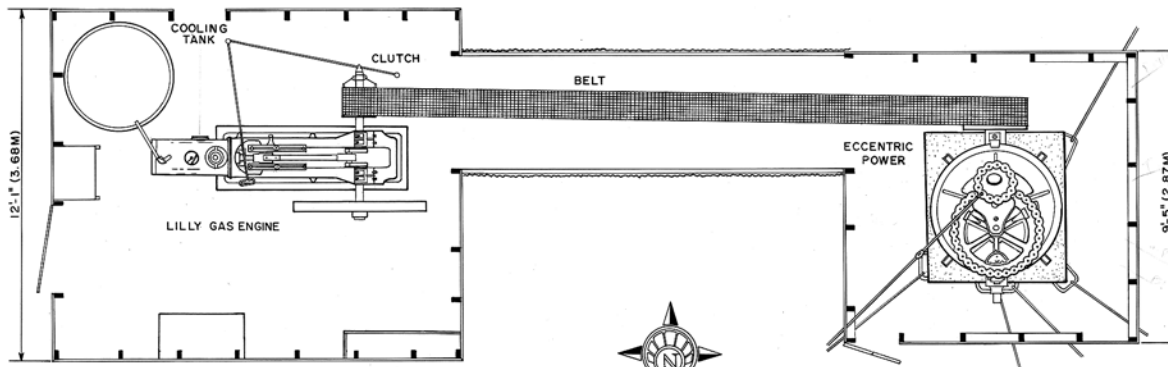
TRIM LINE



NORTH ELEVATION

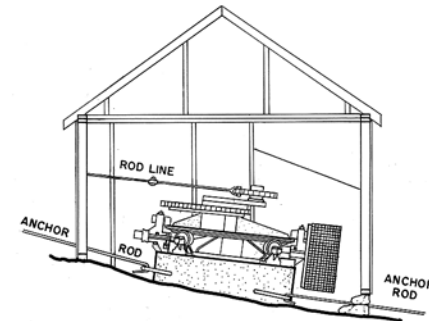


WEST ELEVATION



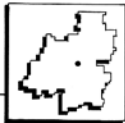
FLOOR PLAN

SCALE 1/2"-1'-0"



SECTION A-A

NOTE: Drawings show condition of structure and machinery as of summer of 1997.



GOLDEN OIL POWER

DESIGNED BY: KEVIN A. MCCLUNG, 1997

ALLEGHENY NATIONAL FOREST
OIL HERITAGE RECORDING PROJECT
UNITED STATES DEPARTMENT OF THE INTERIOR

SHEFFIELD VICINITY

GOLDEN OIL POWER - 1920
WARREN COUNTY

PENNSYLVANIA

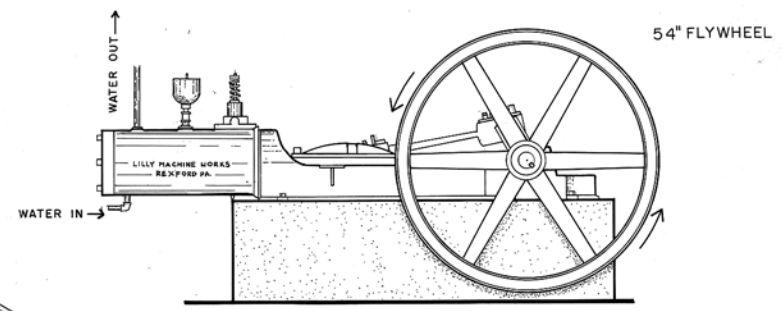
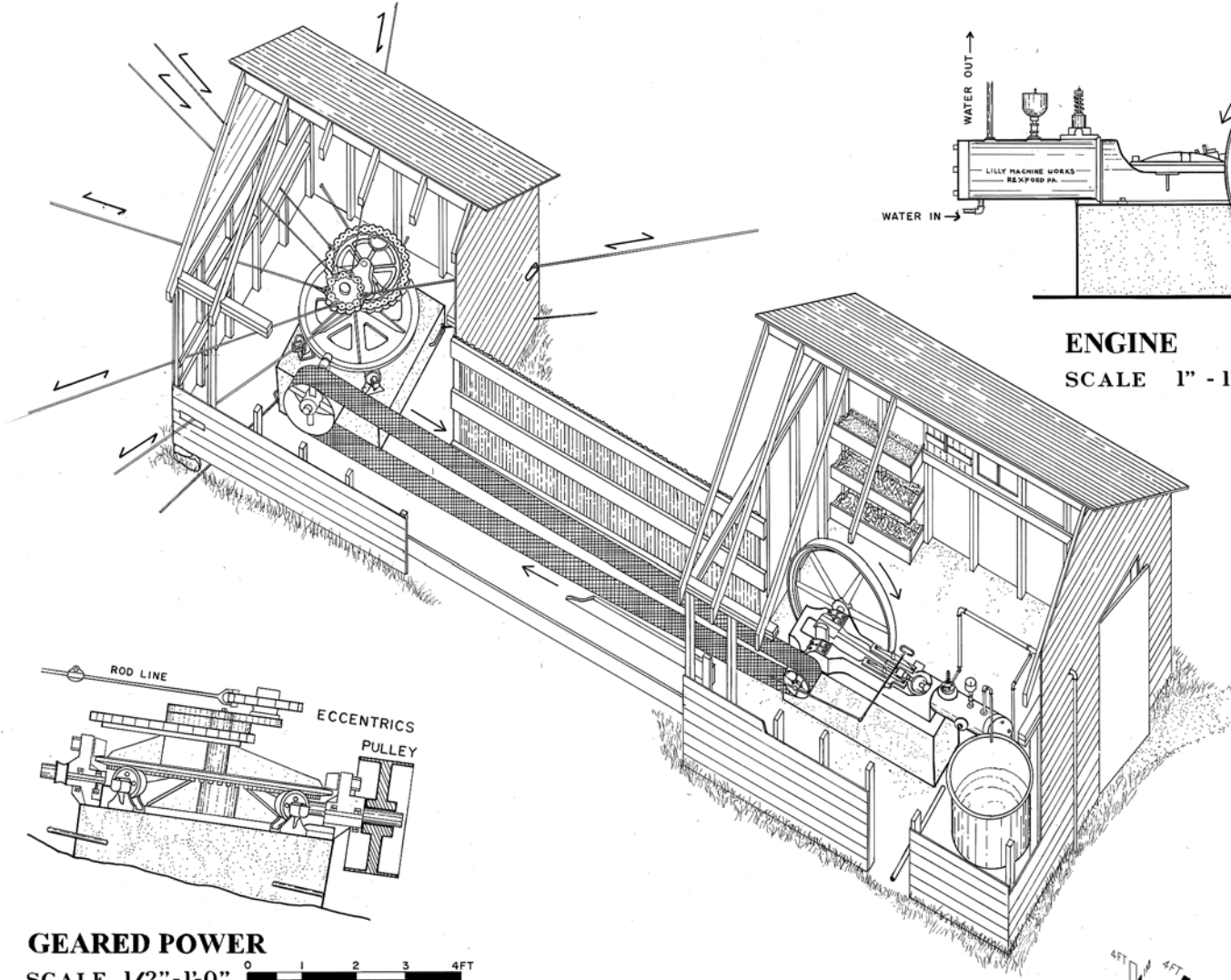
SHEET 1 of 2


HISTORIC AMERICAN
ENGINEERING RECORD
PA - 440

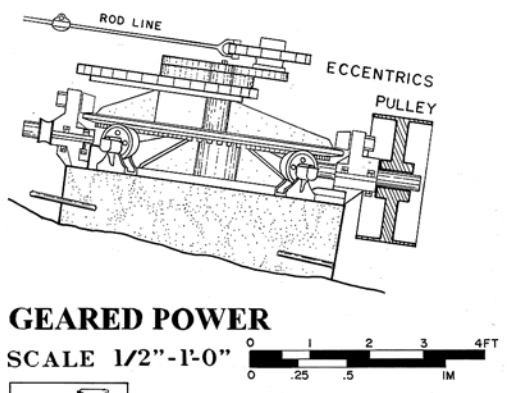
IF REPRODUCED, PLEASE CREDIT: HISTORIC AMERICAN ENGINEERING RECORD, NATIONAL PARK SERVICE, NAME OF DECLINATOR, DATE OF THE DRAWING


TRIM LINE

TRIM LINE



ENGINE
 SCALE 1" - 1'-0" 



GEARED POWER
 SCALE 1/2" - 1'-0" 



GOLDEN OIL POWER

AXONOMETRIC
 SCALE 1/2" - 1'-0" 

The Golden Oil Central Power is located in the Cooper oil field (discovered in 1875) and taps the Cooper sand and the Cooper stray sand at a depth of 1600'. Built by the Golden Oil Company, the powerhouse dates to ca. 1920, although the machinery is older, ca. 1900. It is an excellent example of a small, low cost, central power complex. The prime mover is a Lilly Machine Works (of Rexford, Pa.) gas engine (with electronic spark-plug ignition) of about 25 horsepower. It was originally a steam engine, later converted to gas by the addition of a new cylinder. The power, which actuated eight rod lines, is a small Bessemer Company (of Grove City, Pa.) bevel-gear, overslung crank-and-eccentric unit mounted on a concrete foundation and tilted to match the slope of the hillside. The eight wells pumped by this central power each produced less than one barrel of oil per day until its closure, ca. 1970.

RESEARCHED BY: KEVIN A. MCCLUNG, 1997
 ALLEGHENY NATIONAL FOREST
 OIL HERITAGE RECORDING PROJECT
 UNITED STATES NATIONAL ARCHIVES, COLLETSVILLE, PENNSYLVANIA
 SHEFFIELD VICINITY

GOLDEN OIL POWER - 1920
 WARREN COUNTY
 PENNSYLVANIA 2 2 - 2

HISTORIC AMERICAN
 ENGINEERING RECORD
 PA - 440

IF REPRODUCED, PLEASE CREDIT: HISTORIC AMERICAN ENGINEERING RECORD, NATIONAL PARK SERVICE, NAME OF DELINEATOR, DATE OF THE DRAWING

TRIM LINE